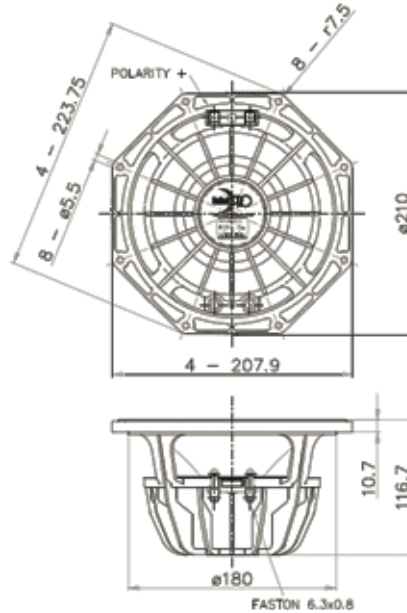




W8N8-200 Professional Series



NOMINAL SPECIFICATIONS

Nominal Diameter	200 mm (8 in)
Overall Diameter	223.8/207.9 mm (8.81/8.18 in)
Bolt Circle Diameter	210 mm (8.27 in)
Baffle Cutout Diameter	184 mm (7.24 in)
Depth	116.7 mm (4.59 in)
Flange and Gasket Thickness	10.7 mm (0.42 in)
Net Weight	1.8 Kg (3.96 lb)
Shipping Box (Single Carton Box)	235x235x155 mm (9.25x9.25x6.1 in)
Shipping Weight	2.2 Kg (4.84 lb)

ELECTRICAL SPECIFICATION

Nominal Impedance	8 Ohm
Minimum Impedance	5.9 Ohm
Nominal Power Handling *	200 W
Maximum Power Handling **	400 W
Sensitivity (1W/1m)	92 dB
Frequency Range	80÷5000 Hz
Voice Coil Diameter	52 mm (2 in)
Winding Material	Al
Former Material	Glass Fiber
Winding Depth	19.3 mm (0.76 in)
Magnetic Gap Depth	7 mm (0.27 in)
Flux Density	1.05 T

THIELE & SMALL PARAMETERS

Fs	74 Hz
Re	5.1 Ohm
Qes	0.69
Qms	5.30
Qts	0.61
Vas	9 dm ³ (0.32 ft ³)
Sd	177.3 cm ² (27.5 in ²)
Xmax ***	8.48 mm
Xdamage ****	12.9 mm
Mms	23 g
Bl	8.9 N/A
Le	0.6 mH
Mmd	21.6 g
Cms	0.2 mm/N
Rms	2 Kg/s
Eta Zero	0.5 %
EBP	107 Hz

NOTES

(*) 2 Hours Test According to AES 2-1984 Rev. 2003

(**) Maximum power is defined as 3dB greater than nominal power.

(***) Xmax = [(winding depth - magnetic gap depth) / 2] + (magnetic gap depth / 3)

(****) Maximum excursion before permanent damage

CURVES

